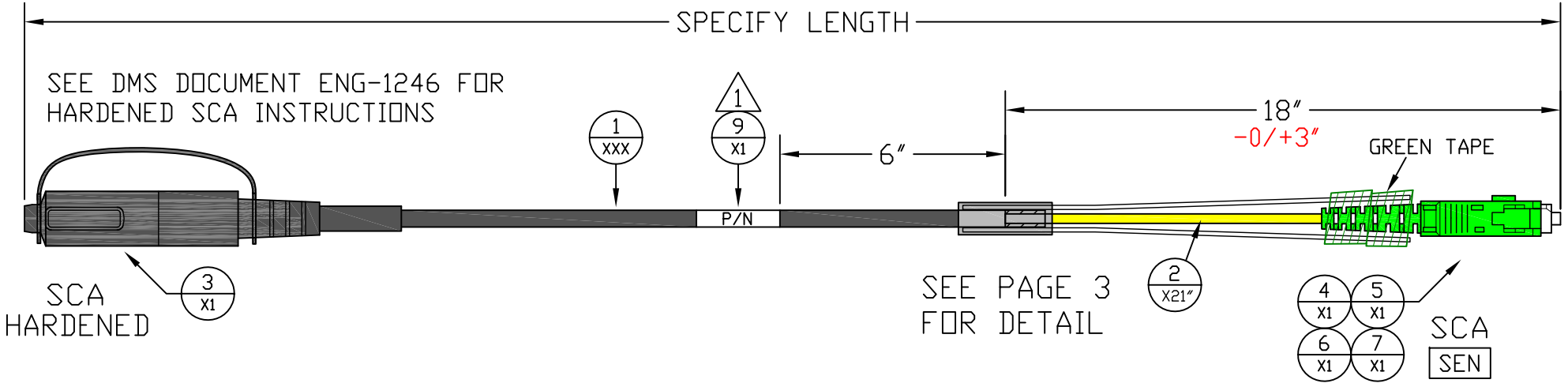


P1
PREP JACKET BUTT TO 4 INCHES

OUTSIDE END (USE W/PULLING EYE)=P2
PREP JACKET BUTT TO 26 INCHES

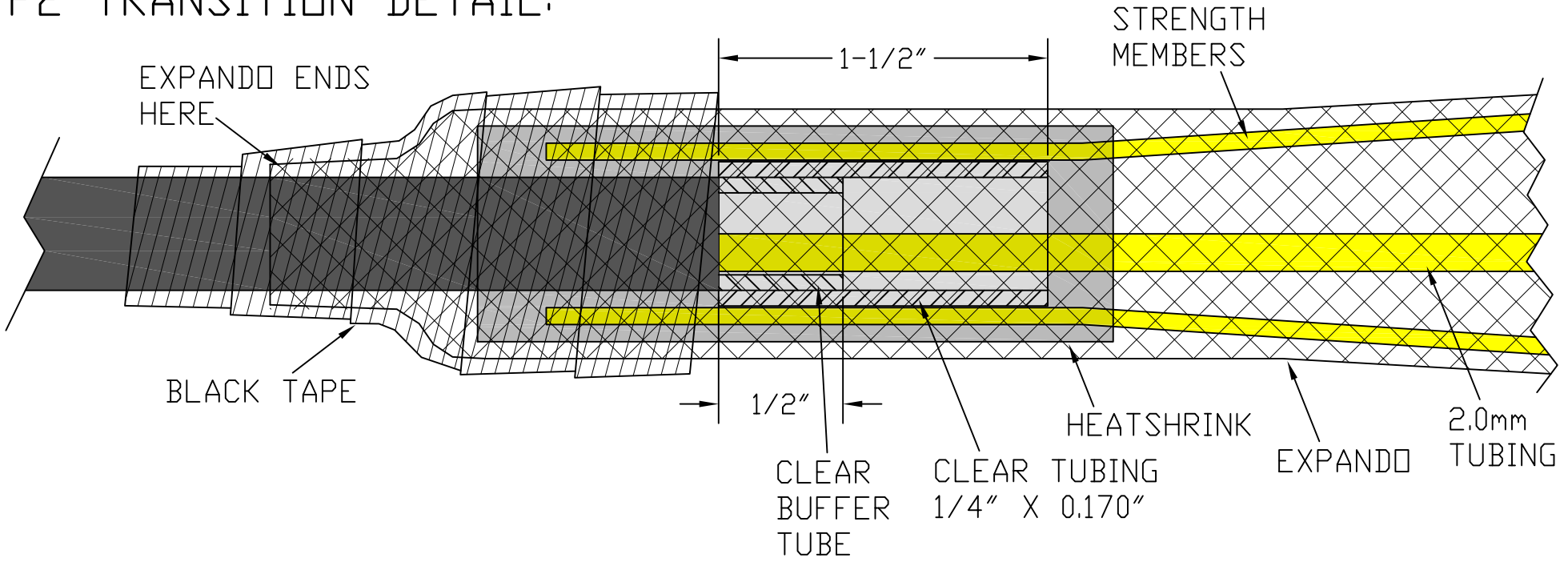


THIS DRAWING MAY CONTAIN PATENTED OR PROPRIETARY INFORMATION AND MUST NOT BE USED FOR ANY PURPOSE DETRIMENTAL TO CUSTOM CABLE INDUSTRIES, INC. IT MAY NOT BE REPRODUCED OR TRANSCRIBED IN ANY FORM WITHOUT THE WRITTEN CONSENT OF CUSTOM CABLE INDUSTRIES, INC. ACCEPTANCE OF THIS DRAWING ESTABLISHES AN AGREEMENT OF THE FOREGOING.

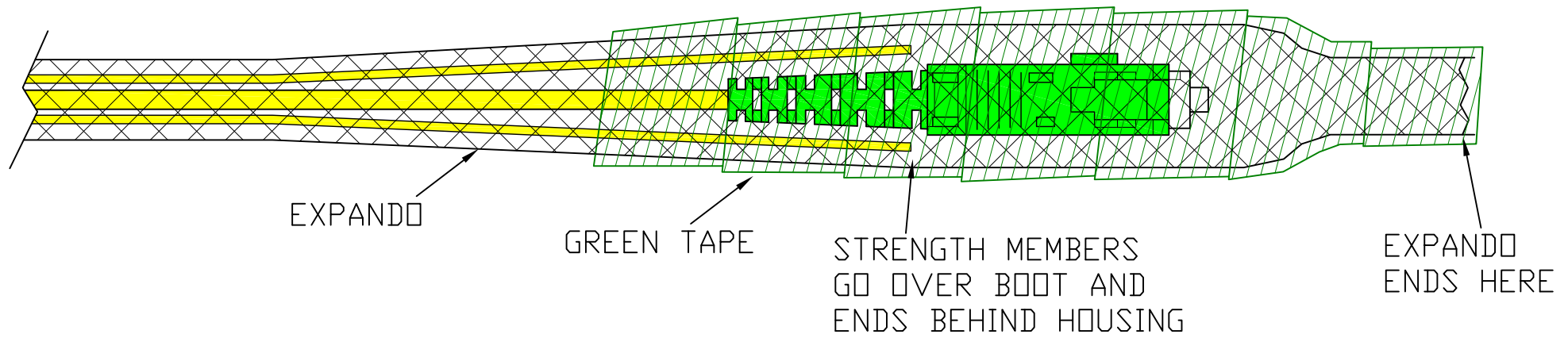
Drawn	B. Baylor	01	26	15
Checked		01	27	15
Approved				

Part No.	C1288-XXX-UM-995		
DRAWING IS NOT TO SCALE	Rev. A	Sheet 2	of 3

P2 TRANSITION DETAIL:



P2 END:



THIS DRAWING MAY CONTAIN PATENTED OR PROPRIETARY INFORMATION AND MUST NOT BE USED FOR ANY PURPOSE DETRIMENTAL TO CUSTOM CABLE INDUSTRIES, INC. IT MAY NOT BE REPRODUCED OR TRANSCRIBED IN ANY FORM WITHOUT THE WRITTEN CONSENT OF CUSTOM CABLE INDUSTRIES, INC. ACCEPTANCE OF THIS DRAWING ESTABLISHES AN AGREEMENT OF THE FOREGOING.

Drawn	B. Baylor	01	26	15
Checked		01	27	15
Approved				

Part No.	C1288-XXX-UM-995	
DRAWING IS NOT TO SCALE	Rev. A	Sheet 3 of 3